

LPFM

AM/FM Antenna



LPFM is a rugged low profile antenna, designed to be used in rough conditions e.g. buses, heavy vehicles and forest machines.

- AM: 0.5-1.7MHz / FM: 87.5-108MHz
- Rugged design
- Low profile, height 50mm
- Ground plane independent
- IP67 class
- Cable approved acc ECE-R118
- Designed in Sweden in collaboration with forest industry partners

Specifications

Electrical

Frequency	AM	0.5-1.7MHz
	FM	87.5-108MHz
Impedance	50Ω	
Polarization	Linear	
VSWR	2:1 @ 98MHz	

Mechanical

Dimensions (L x W x H)	280 x 120 x 50mm
Cable	RG316, grey
Colour	Black
Installation	Hole mount, Ø19mm and 2 x Ø7mm Installation thickness ≤ 6mm
IP class	IP67
Temperature	Storage / Operating -40°C to +85°C

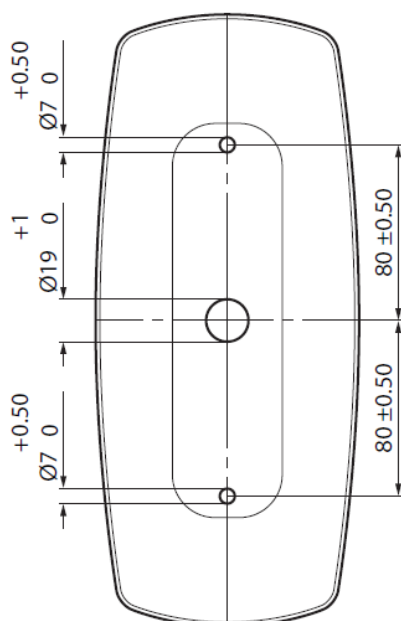
Other

This part is RoHS compliant.

Part number	Cable length	Connector type
710285	0.5m	Fakra(m)
710287	0.5m	FME(f)
710339	0.5m	FME(m)

Other cable lengths and connector types are available upon request.

Smarteq reserves the right to change specifications without prior notice.



SMARTEQTM
WIRELESS

Smarteq, based in Stockholm, Sweden, is a leading developer of antennas and antenna systems for increased availability. Smarteq aims towards the market segments industry, energy and vehicles.

smarteq.com info@smarteq.com +46 8 792 92 00

