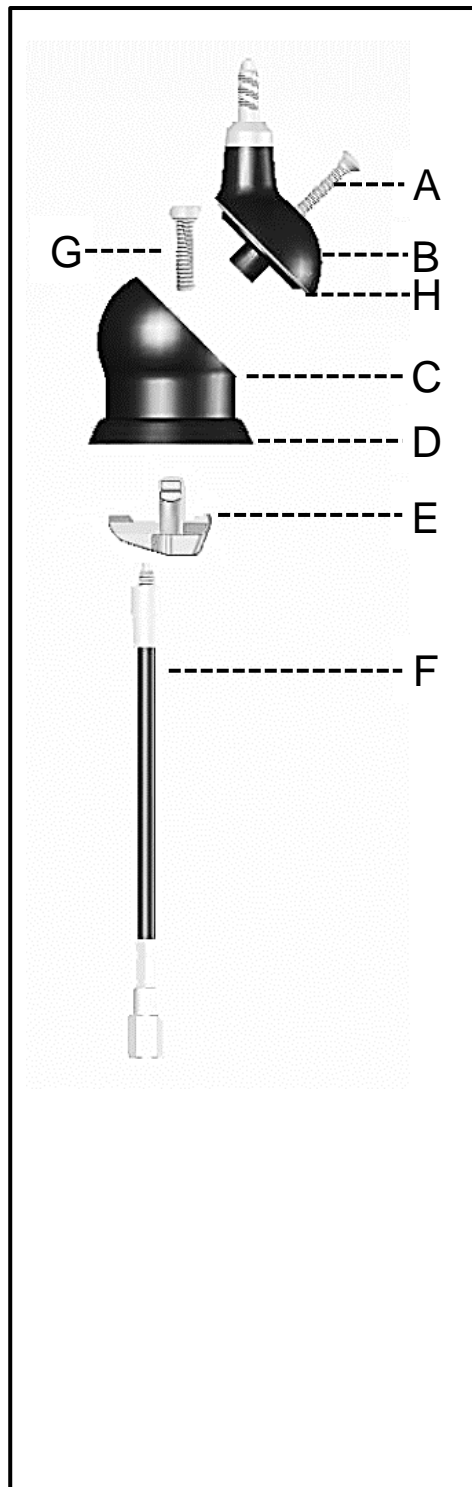


Mounting Instruction

Base NCD



1. Drill a $\varnothing 19\text{mm}$ mounting hole.
2. Carefully clean $\sim 10\text{mm}$ around the hole on the backside of the sheet metal to obtain optimal grounding.
3. Surface treat with an anti-corrosive agent of low viscosity, e.g. Tectyl.
4. Assemble the gasket (D) and the cable (F) (if not mounted) to the base (C) with a suitable tool.
5. Insert the bracket (E) in the mounting hole, pass the cable (F) through the hole. Carefully check that the base (C) and the bracket (E) are aligned to each other.
6. Fasten the base (C) to the bracket (E) with the screw (G), but not harder than the base can be turned (gasket (H) shall not be mounted).
7. Assemble the ball-joint (B), preferable with the rod mounted, to the base (C) and adjust the position* of the rod by mutually turning the base (C) and the ball-joint (B).

8. Remove the ball-joint (B) and finally tighten the screw (G), torque $2.0 - 2.5\text{Nm}^{**}$
9. Mount the gasket (H).
10. Fasten the ball-joint (B) with the screw (A), torque $2.0 - 2.5\text{Nm}^{**}$

*For best performance, the position of the rod should be vertical. If not possible, minimum angle is 45° .

** Torque $2.0 - 2.5\text{Nm}$ means hard tightening with a normal screwdriver.

Maximum rod torque, 5Nm .

SMARTEQ™
■■■■■ antennas

Kista, Sweden
www.smarteq.com
info@smarteq.com
+46 8 792 92 00

500068A