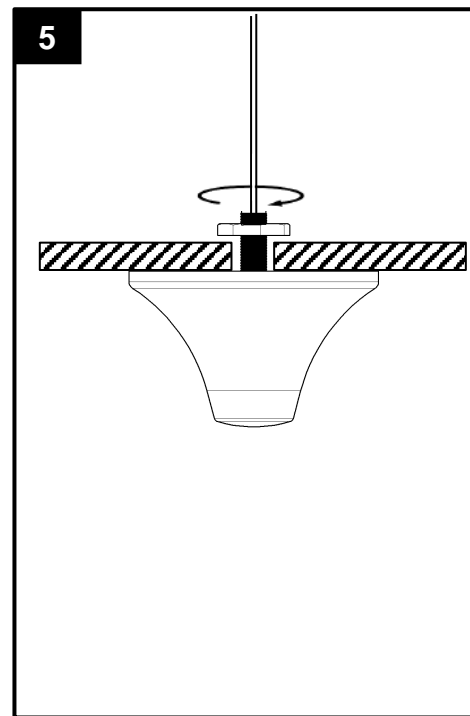
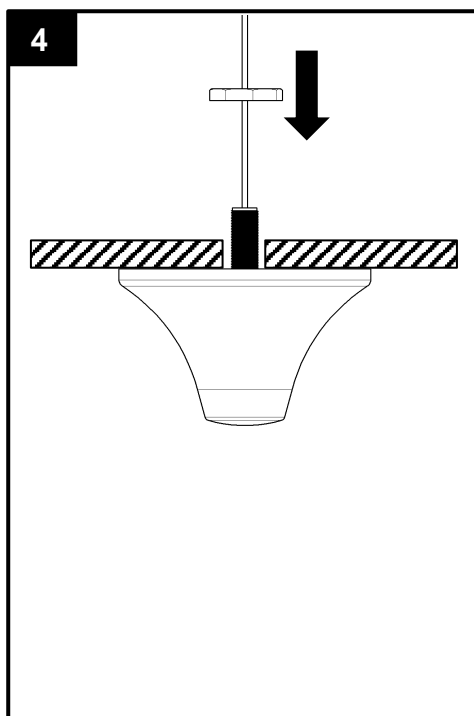
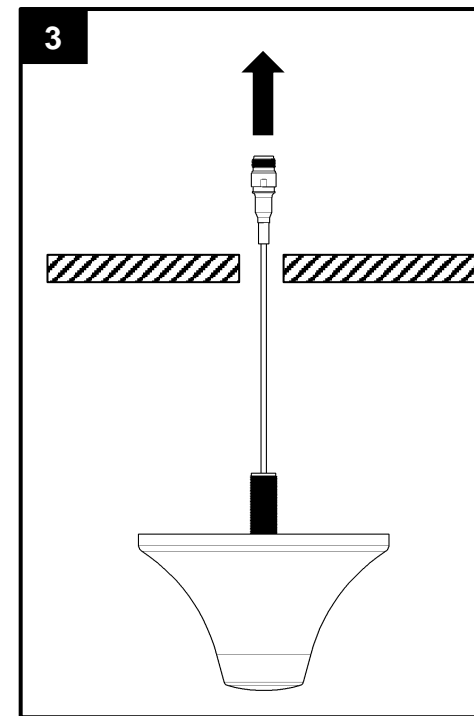
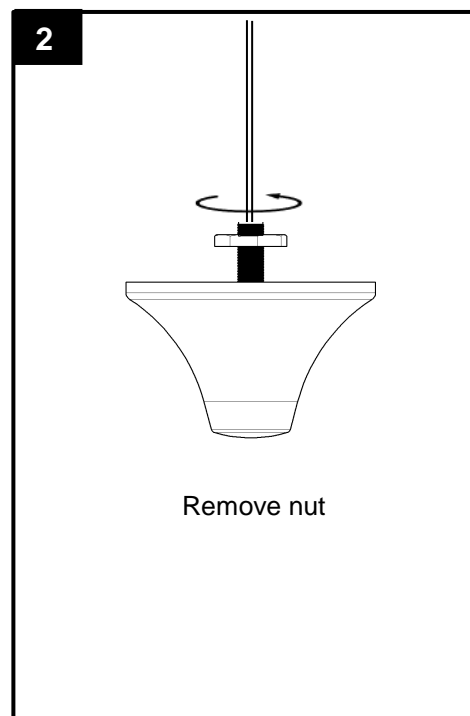
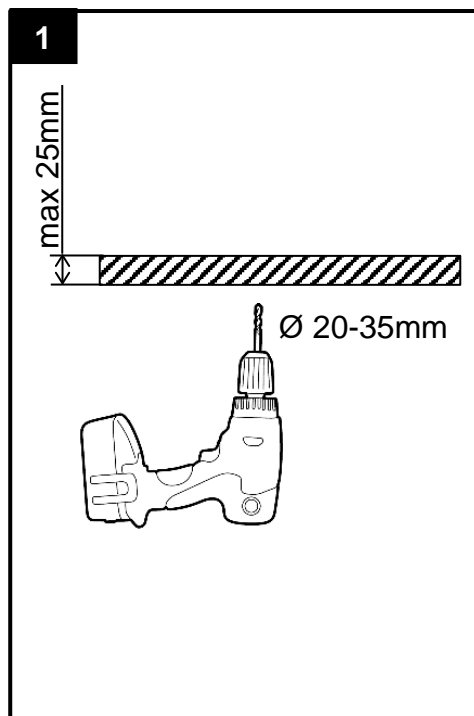
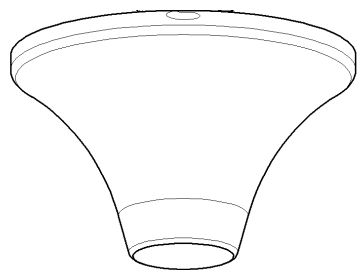


# Mounting Instruction

## LTE indoor ceiling antenna



**SMARTEQ™**  
■■■■■ antennas

Kista, Sweden  
www.smarteq.com  
info@smarteq.com  
+46 8 792 92 00

500063 A