



LPCA 8

LPCA 8 (Low Profile Combination Antenna) is a rugged, low profile combination antenna designed for use in telematics applications.

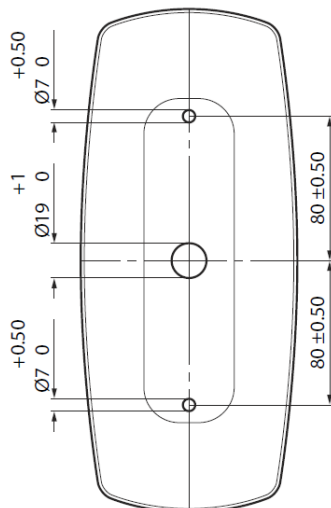
- Designed for 410-430 MHz with an extended range to 450 MHz
- Low profile, height 50mm
- Ground plane independent
- Rugged
- IP67
- Cable approved acc ECE-R118
- Designed in Sweden in collaboration with the forest industry

Specifications

Electrical

TETRA

Frequencies	380-410MHz 410-430MHz 430-450MHz		
Gain	410 MHz	6,5 dBi on metal	4,5 dBi free space
	430 MHz	5,5 dBi on metal	5,5 dBi free space
	450 MHz	3,5 dBi on Metal	1 dBi free space
Impedance	50Ω		
Polarization	Vertical		
Radiation characteristics	Omni		
VSWR	410 MHz	< 1,9:1	
	430 MHz	< 1,7:1	
	450 MHz	< 3:1	
Max power	10W		



Mechanical

Dimensions (L x W x H)	280 x 120 x 50mm	
Installation	Hole mount, Ø19mm and 2 x Ø7mm Installation thickness ≤ 6mm	
Cable	615mm RG316	
Connector	FME (f)	
IP class	IP67	
Temperature	Storage / Operating	-40°C to +85°C

This part is RoHS compliant
Certified according to 2014/53/EU Radio Equipment Directive (RED)

*Measurements are made on Ø1m ground plan.
Smarteq reserves the right to change specifications without prior notice

SMARTEQ[™]
WIRELESS

Smarteq, based in Stockholm, Sweden, is a leading developer of antennas and antenna systems for increased availability. Smarteq aims towards the market segments industry, energy and vehicles.

smarteq.com info@smarteq.com +46 8 792 92 00

